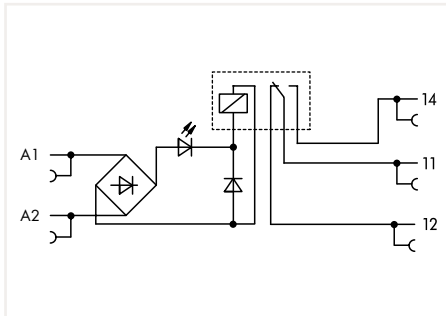
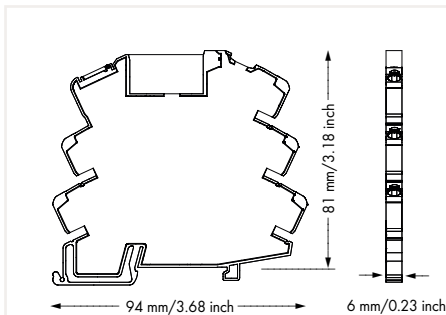


Relay Module 857 Series



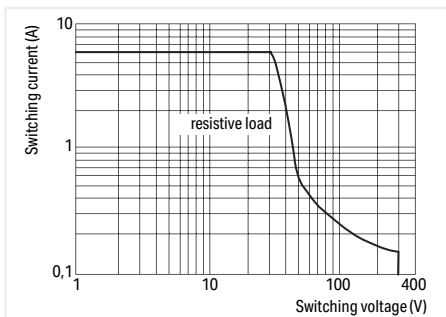
Relay Module; 1 changeover contact; Limiting continuous current: 6 A; with gold contacts; Status indicator: yellow; 6 mm wide

U_N	I_N	Item No.	Pack. Unit
24 VAC/DC	8.5 mA	857-364	25
115 VAC/DC	4 mA	857-367	25
230 VAC/DC	3.5 mA	857-368	25



Note:

To prevent damaging the gold layer, 30 VDC switching voltages and 50 mA currents must not be exceeded. Higher switching power eventually evaporates the gold layer. The resulting deposits in the housing may reduce service life.



DC Load Limit Curve

Control Circuit

Input voltage range	-15 ... +20 % (857-364; 857-367); -20 ... +10 % (857-368)
---------------------	--

Load Circuit

Number of changeover/switchover contacts	1
Contact material	AgNi + Au
Limiting continuous current	6 A
Inrush current (resistive) max.	20 A (AC) / 20 ms
Switching voltage (max.)	250 VAC
Switching power (resistive) max.	1500 VA (AC); DC see load limit curve
Switching capacity	AC 15: 3 A / 250 VAC; DC 13: 2 A / 24 VDC
Recommended minimum load	1 V / 1 mA / 1 mW
Pull-in time (typ.)	15 ms
Drop-out time (typ.)	25 ms
Bounce time (typ.)	3.5 ms
Electrical life (NO; resistive load; 23 °C)	50x 10 ³ switching operations
Mechanical life	5x 10 ⁶ switching operations
Switching frequency with/without load (max.)	6 min ⁻¹ / 180 min ⁻¹

Signaling

Status indicator	Yellow LED
------------------	------------

Safety and Protection

Rated voltage	250 VDC
Rated surge voltage	4 kV
Pollution degree	2
Dielectric strength, control/load circuit (AC, 1 min)	4 kV _{rms}
Dielectric strength, open contact (AC, 1 min)	1 kV _{rms}
Protection type	IP20

Connection Data

Connection technology	Push-in CAGE CLAMP®
Solid conductor	0.34 ... 2.5 mm ² / 22 ... 14 AWG
Fine-stranded conductor	0.34 ... 2.5 mm ² / 22 ... 14 AWG
Strip length	9 ... 10 mm / 0.35 ... 0.39 inch

Physical Data

Width	6 mm / 0.236 inch
Height from upper-edge of DIN-rail	81 mm / 3.189 inch
Depth	94 mm / 3.701 inch

Mechanical Data

Mounting type	DIN-35 rail
---------------	-------------

Material Data

Weight	30.3 g
--------	--------

Environmental Requirements

Surrounding air temperature (operation at U_N)	-40 ... +85 °C
Surrounding air temperature (storage)	-40 ... +70 °C
Processing temperature	-25 ... +50 °C

Standards and Specifications

Standards/specifications	EN 61010-2-201; EN 61810-1; EN 61373; UL 508; ATEX, IEC Ex
--------------------------	--